



LBC 3095/15 Pendant Sphere Loudspeaker



The LBC 3095/15 is a pendant sphere designed to be suspended from the ceiling via its connecting cable. The pleasing shape and neutral color make the pendant sphere models interesting architectural features in their own right.

Functions

The pendant sphere is splash waterproof and suitable for outdoor use and in environments with high humidity levels such as swimming pools.

Their excellent sound spread makes them ideal for use in buildings with high ceilings such as hypermarkets and superstores.

The enclosures are made from high-impact self-extinguishing ABS (according to class UL 94 V0) and are colored off-white. The pendant sphere is designed to be suspended from its color-matched connecting cable (easy to shorten for desired height). A cable clamp and ceiling cover are supplied.

They are not recommended for use in windy environments.

- ▶ Suitable for speech and music reproduction
- ▶ Simple power setting
- ▶ 5 m fixed connection cable
- ▶ Splash-waterproof type
- ▶ Robust self-extinguishing ABS enclosure to UL 94 V0
- ▶ Complies with international installation and safety regulations

Certifications and Approvals

All Bosch loudspeakers are designed to withstand operating at their rated power for 100 hours in accordance with IEC 268-5 Power Handling Capacity (PHC) standards. Bosch has also developed the Simulated Acoustical Feedback Exposure (SAFE) test to demonstrate that they can withstand two times their rated power for short durations. This ensures extra reliability under extreme conditions, leading to higher customer satisfaction, longer operating life, and much less chance of failure or performance deterioration.

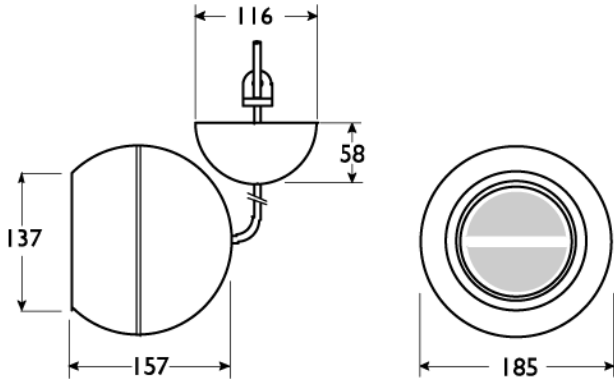
All plastic parts are manufactured from self-extinguishing high-impact ABS material (according to UL 94 V0). In common with all Bosch products, care is taken to meet high safety standards. These sound projectors comply with all the relevant safety and installation regulations of EN 60065.

Water protected

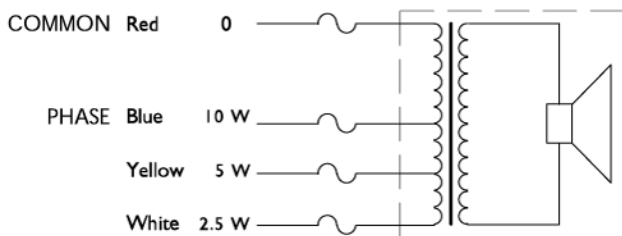
acc. to EN 60529, IP x3

Installation/Configuration Notes

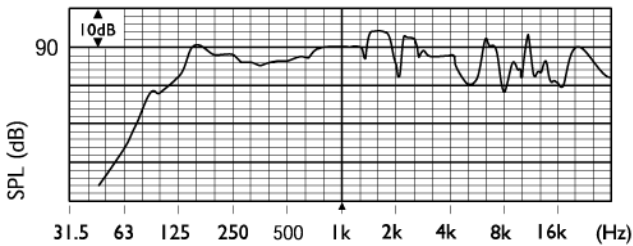
All units are supplied with a color-coded four-core connecting cable with each color connected to a different primary tap on the 100 V matching transformer. This allows nominal full-power, half-power or quarter-power radiation to be selected (in 3 dB steps).



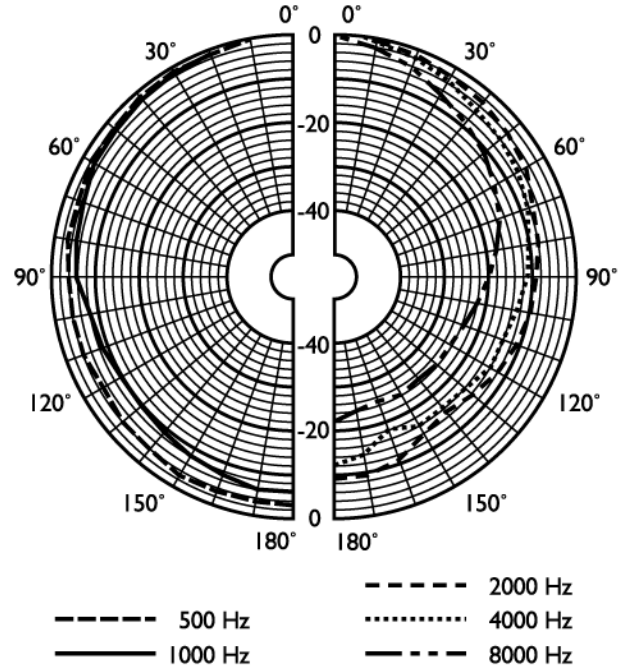
Dimensions (in mm)



Circuit diagram



Frequency response



Polar diagram (measured with pink noise)

	125 Hz	250 Hz	500 Hz	1 kHz	2 kHz	4 kHz	8 kHz
SPL 1.1	80	85	84	89	89	85	85
SPL max.	90	95	94	99	99	95	95
Q-factor	1.2	1.3	1.8	3.1	5.2	8.5	18
Efficiency	0.1	0.3	0.2	0.3	0.2	0.05	0.02
H. angle	360	360	360	180	125	90	55
V. angle	360	360	360	180	125	90	55

Acoustical performance specified per octave

Parts Included

Quantity	Components
1	LS1-UC20E Pendant Sphere
1	Cable clamp
1	Ceiling cover

Technical Specifications

Electrical*

Maximum power	15 W
Rated power	10 / 5 / 2.5 W
Sound pressure level at 10 W / 1 W (1 kHz, 1 m)	99 dB / 89 dB (SPL)
Opening angle at 1 kHz / 4 kHz (-6 dB)	180° / 90°

Effective frequency range (-10 dB)	130 Hz to 20 kHz
------------------------------------	------------------

Rated voltage	100 V
---------------	-------

Rated impedance	1000 ohm
-----------------	----------

Connection	5 m 4-wire cable
------------	------------------

Mechanical

Dimensions (D x L)	185 x 157 mm (7.3 x 6.2 in)
--------------------	-----------------------------

Weight	2.5 kg (5.5 lb)
--------	-----------------

Color	Off-white (PH 90019)
-------	----------------------

Environmental

Operating temperature	-25 °C to +55 °C (-13 °F to +131 °F)
-----------------------	--------------------------------------

Storage temperature	-40 °C to +70 °C (-40 °F to +158 °F)
---------------------	--------------------------------------

Relative humidity	<95%
-------------------	------

Ordering Information

LBC 3095/15 Pendant Sphere Loudspeaker

10 W, off-white ABS

Accessories

LBC 1256/00 EVAC Connection Adapter

3-pole screw connector, 100 pieces

Europe, Middle East, Africa:
 Bosch Security Systems B.V.
 P.O. Box 80002
 5600 JB Eindhoven, The Netherlands
 Phone: + 31 40 2577 284
 Fax: +31 40 2577 330
 emea.securitysystems@bosch.com
 www.boschsecurity.com

Americas:
 Bosch Security Systems, Inc.
 130 Perinton Parkway
 Fairport, New York, 14450, USA
 Phone: +1 800 289 0096
 Fax: +1 585 223 9180
 security.sales@us.bosch.com
 www.boschsecurity.us

Asia-Pacific:
 Bosch Security Systems Pte Ltd
 38C Jalan Pemimpin
 Singapore 577180
 Phone: +65 6319 3450
 Fax: +65 6319 3499
 apr.securitysystems@bosch.com
 www.boschsecurity.com

Represented by