

BS 8

PENDENT BALL SPEAKER



MAIN APPLICATIONS

- Large areas from high ceiling
- Shopping malls
- Sport centres
- Corridors
- Shopping centres

DESCRIPTION

The BS 8 is a spherical speaker designed for suspended installation. Ideal for covering large areas, it incorporates a 200 mm (8") loudspeaker which provides high quality sound reproduction with excellent voice intelligibility.

Suspended spherical speaker unit for applications that require particularly uniform sound distribution. Ideal for covering large areas from high ceilings. This loudspeaker has inside a transformer that allows the connection to a 100 V constant voltage line.

When connected to a 100 V line, its power can be selected among the values 20 W, 10 W or 5 W through the selection 4 inputs wire.

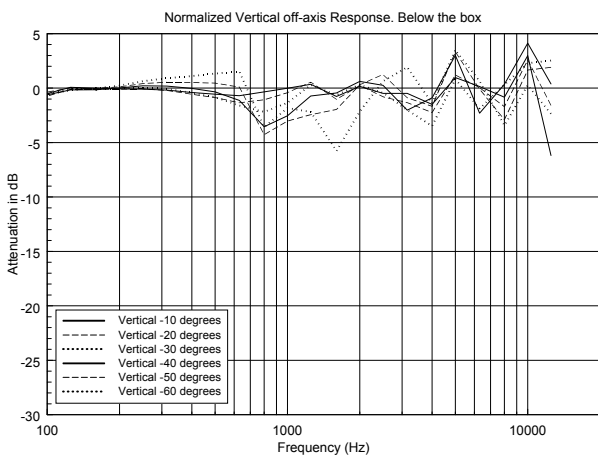
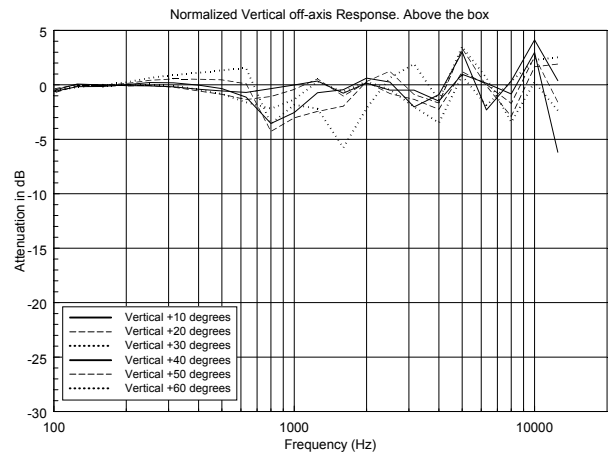
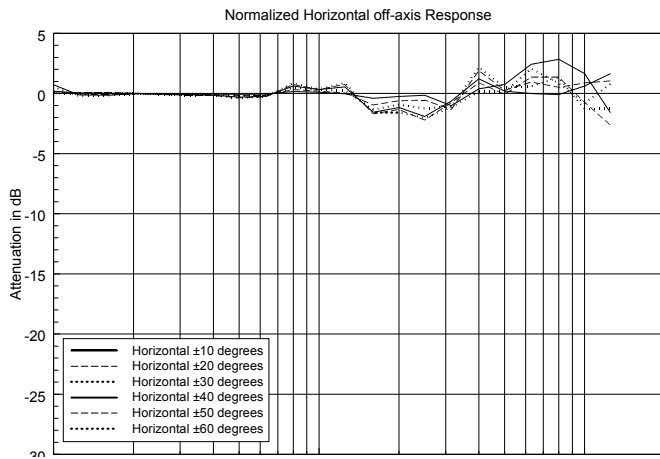
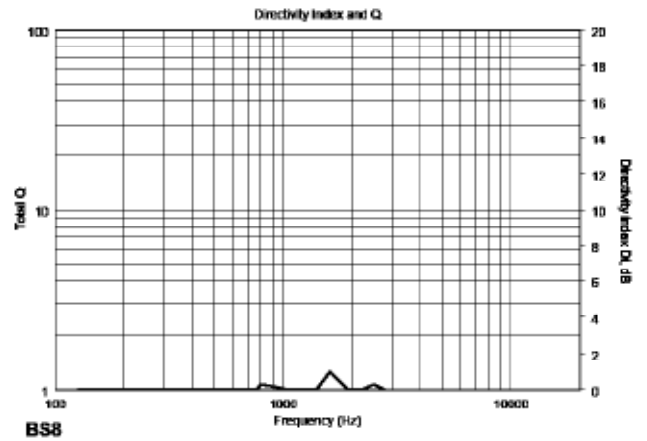
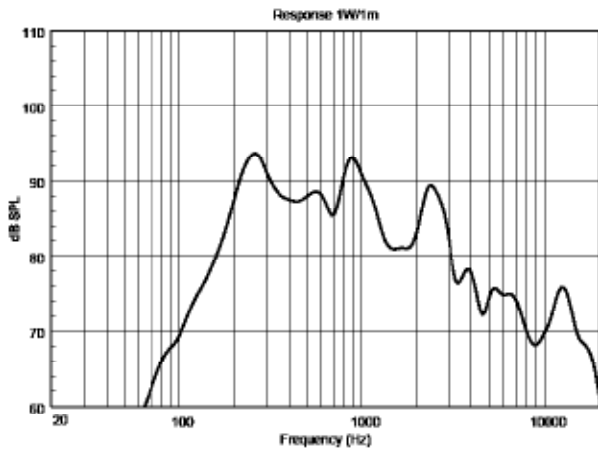
MAIN FEATURES

- 8" Dual-Cone wide-band speaker
- 20 / 40 Watt (RMS/Music Power)
- 160 Hz ÷ 12.5 kHz
- 106 dB (1 m / POWER MAX) max. SPL
- Incl. 100V transformer multitap
- Easy to install
- Simple power settings

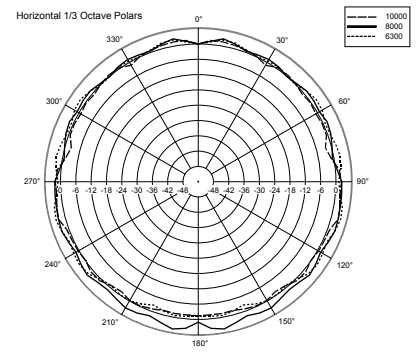
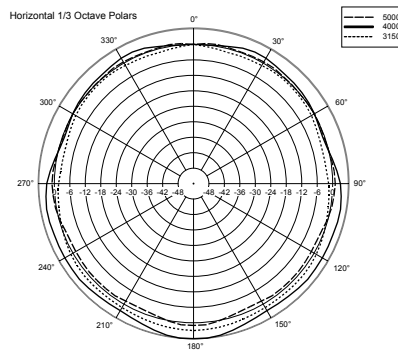
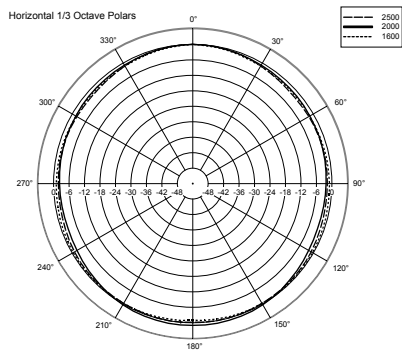
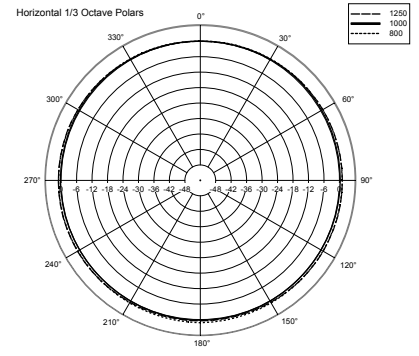
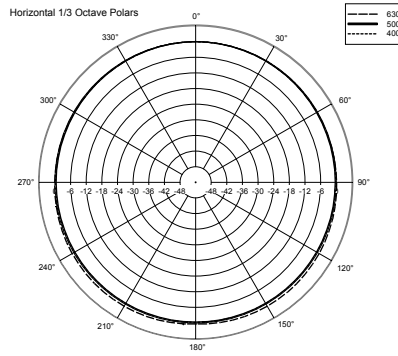
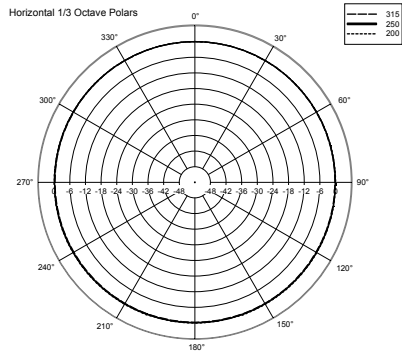
SPECIFICATIONS

Loudspeaker	Woofers 8" dual cone
Power (on 8 Ohm load)	20 / 40 W (RMS / Music power)
Power	20 W - - 10 W - 5 W (100V)
Sensitivity	93 dB (1 W / 1 m)
Mx. SPL (6 W / 1 m) (20 W / 1 m)	106 dB(A) (1 m / POWER MAX)
Frequency Response	160 Hz – 12.5 kHz
Angle of coverage	360° / 360° / 360° @ 1 / 2 / 4 kHz (hor.)
Connector	4 conductor cable 5 mt.
Body colour	White RAL 9010
Main body material	Auto-extinguishing high-density polystyrene
Grill material	Plastic
Dimensiones (HxWxD)	Ø 250 mm
Installation	Carabiner and safety steel wire
Connection cable length	5 meter
Net weight	2.2 kg
Operating temperature	-25° to +55°
Relative humidity	90% non condensing

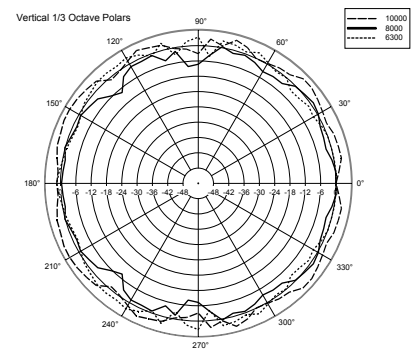
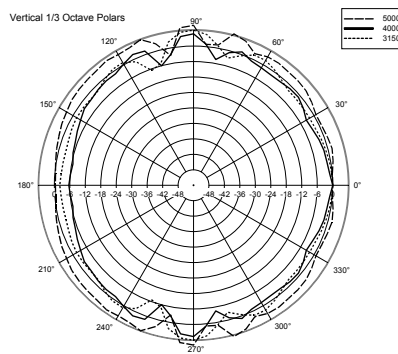
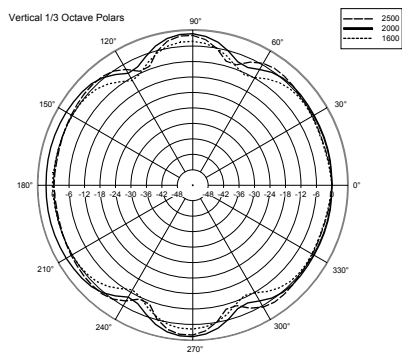
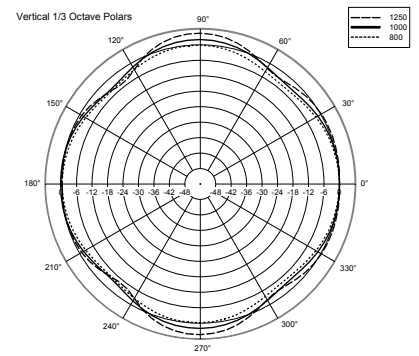
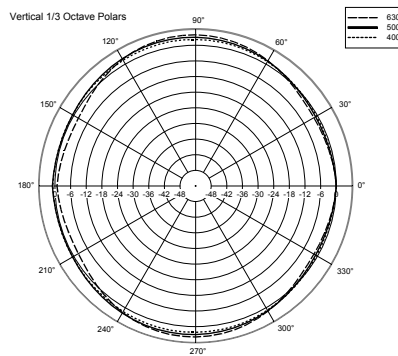
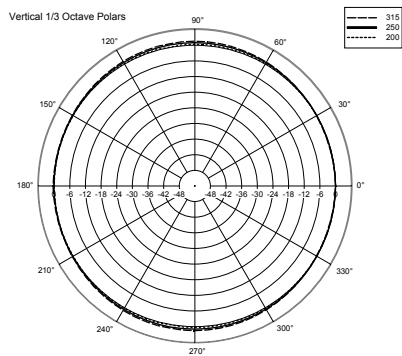




HORIZONTAL 1/3 POLAR PLOT



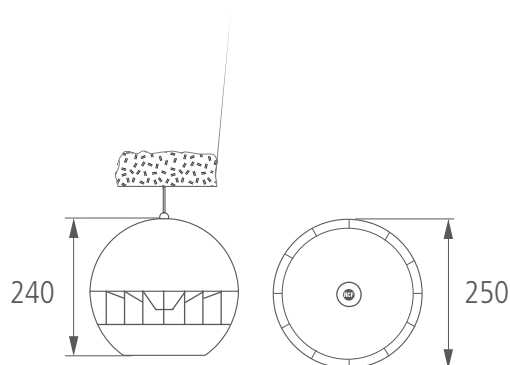
VERTICAL 1/3 POLAR PLOT



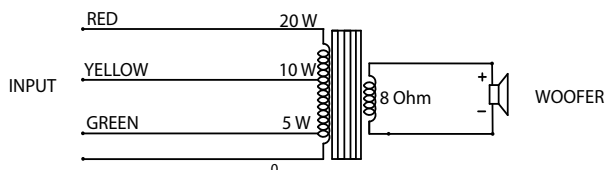
PART NUMBERS

13133054

DIMENSIONS (All data are in mm)

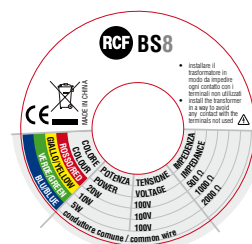


SCHEMATICS



POWER SELECTION

Define the colour cable to selected the chosen power value referring to the 100 V line (among 5 W – 10 W – 20 W) so the correspondence impedance (among 2000 Ω – 1000 Ω – 500 Ω)



CERTIFICATIONS AND APPROVALS

- CE comply with European Community Directive 73/23/EEC and 93/768/EEC
- Environmental protection IP 40 homologation
- Self-Extinguishing plastic according to UL 94V0
- Speaker data according to IEC 268-5
- Safety according to IEC EN 60065:2002

ACCESSORIES (included)

- Steel safety cable
- Carabiner
- Cover connections cap

INSTALLATION NOTES

Installation is easy and quick, thanks to a special fixing system of the cable that comes out from the top.

The installation is safety thanks to the anchorage of the carabineer and the safety steel wire to the ceiling

Connections to the loudspeaker line are made by using the two wire cable (5 meter length) coming out from the loudspeaker rear side. Before the installation, verify that behind the false-ceiling is sufficiently solid and sturdy to support the weight of the speaker.