

SHURE[®]
LEGENDARY
PERFORMANCE™

Shure Networked Audio Processing



SHURE NETWORKED AUDIO PROCESSING

COLLABORATE WITHOUT COMPROMISE.





BETTER TOGETHER. PERFECTLY PAIRED CONFERENCE AUDIO.

The new IntelliMix™ P300 Audio Conferencing Processor was developed to seamlessly integrate with the Shure MXA910 Ceiling Array and the MXA310 Table Array Microphones. Working in perfect synergy, the P300 processor and Microflex™ Advance™ microphones deliver a hassle-free, cost-effective conferencing audio system. The P300 offers pre-defined templates that enable set up literally in seconds, and an unobtrusive form factor for discreet installations. Versatile features and connectivity options provide freedom of choice when joining a room video system, soft codec, or connecting laptops and mobile devices.

Shure Networked Audio Processors and Interfaces enhance collaboration by offering a high-quality audio conferencing solution and the most intelligible meeting sound.



AUDIO PERFORMANCE

Enhanced meeting room audio for natural communication and better interaction in A/V conferences with remote team members.



CONNECTIVITY

Connect how you want, with options for Dante devices, analog room conference systems, PC-based soft codecs via USB, or mobile devices.



SIMPLICITY

Pre-defined templates for system configuration reduce programming time, and allow installation within seconds.



COMPACT & QUIET DESIGN

Silent and small-size form factor allows fast and discreet installation behind a TV screen or under the table, without any audible fan noise.

Networked Audio Processor

NEW



P300

IntelliMix™ Audio Conferencing Processor

The IntelliMix P300 Audio Conferencing Processor offers DSP algorithms optimized for A/V conferencing applications with Microflex Advance and Microflex Wireless microphones, for a complete, high-quality audio experience from Shure. Featuring acoustic echo cancellation, noise reduction and automatic gain control for up to 8 Dante channels, the P300 ensures echo- and noise-free conference room audio that facilitates communication and collaboration. Easy to install and configure, the P300 provides Dante, analog, USB and mobile connectivity options that make joining room systems and collaborating with laptops and mobile devices easier than ever.

- Supports up to 8 Dante microphone channels, connected over a single network cable
- Proprietary Shure IntelliMix DSP algorithms improve speech intelligibility and enable full duplex communication:
 - Per-channel Acoustic Echo Cancellation
 - Noise Reduction
 - Automatic Gain Control
 - Parametric Equalization
 - IntelliMix Automatic Mixing and Matrix Mixing
- BYOD support for USB and mobile devices allows soft codec audio/video conferencing
- Browser-based user interface with pre-defined templates simplifies programming and reduces setup time
- Power-over-Ethernet (PoE+) eliminates need for outboard power supply
- Compact form factor is easy to mount under table or in credenza, without need for equipment rack and long cable runs

Audio Network Interfaces

NEW



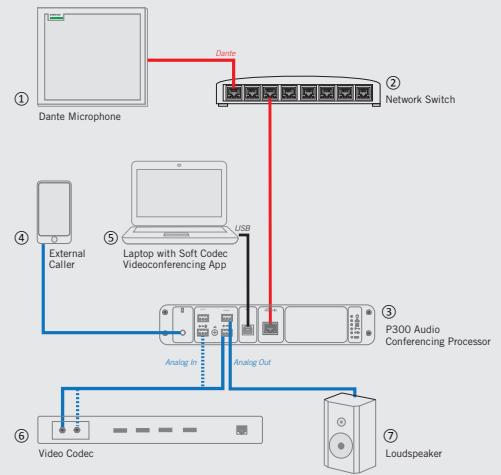
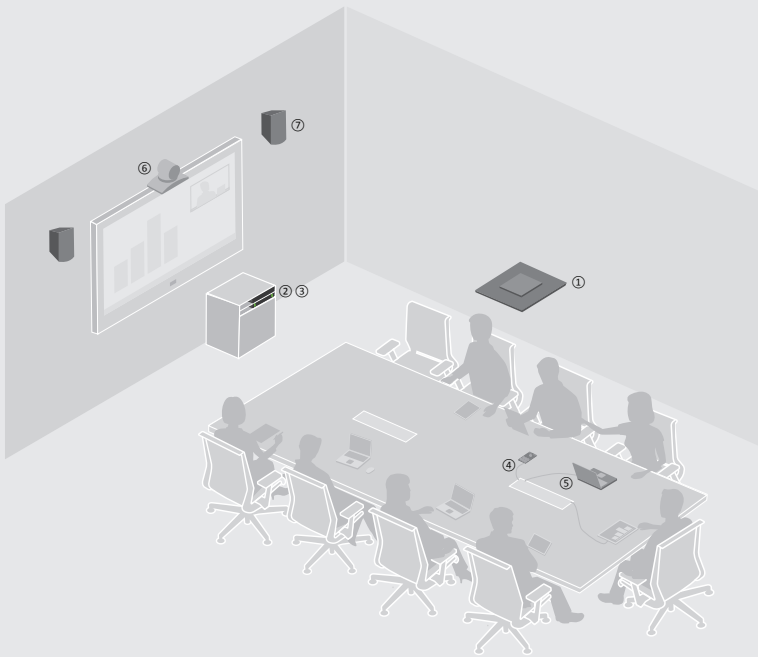
ANIUSB-MATRIX

USB Audio Network Interface with Matrix Mixing

The ANIUSB-MATRIX Audio Network Interface provides a versatile hub for collaboration in small and medium-size meeting rooms, suitable for both room video conference systems and soft codec applications. Where high audio quality is important, the ANIUSB-MATRIX presents a budget-friendly companion to premium microphone solutions, while leveraging the integrated processing functionality of existing video codecs in the room.

- Connects 4 Dante audio inputs and 1 analog input to a room audio/video conferencing system or PC-based A/V conferencing app
- USB connectivity allows use of soft codec A/V conferencing applications like BlueJeans, Skype for Business etc.
- Matrix Mixer provides flexible signal routing, while PEQ (Parametric Equalization) and Limiter allow precise control of meeting audio
- Browser-based user interface for remote control of device functionality
- Single network cable connectivity, with Power-over-Ethernet (PoE) to eliminate outboard power supply
- Included mounting tray installs easily and allows to secure the device under a table

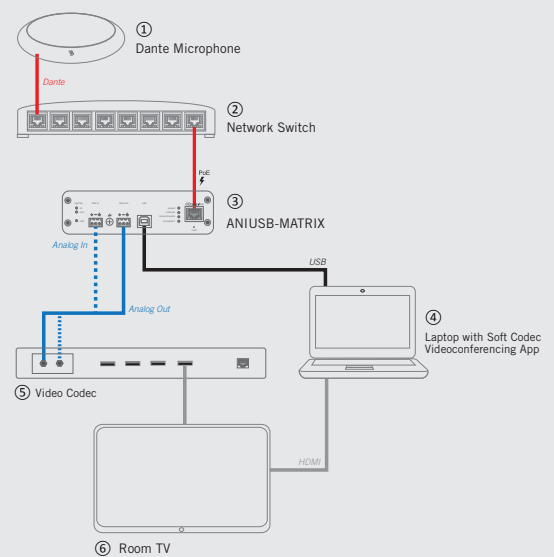
P300



This medium-sized meeting space is equipped with a Microflex Advance MXA910 Ceiling Array Microphone to capture high-quality audio for meetings and collaboration with remote team members. The P300 processes the audio from the Ceiling Array and sends it to the far end via the room video conference system. It also provides

connectivity for USB and mobile devices at the table, allowing meeting participants to bring in additional remote attendees. The P300 uses advanced DSP algorithms that eliminate echo and noise to provide a high quality audio experience for natural and interactive conversations.

ANIUSB-MATRIX



This huddle room is designed for small team meetings and collaboration with remote team members. To ensure a high-quality audio experience for the far end, the ANIUSB-MATRIX routes audio from a permanently installed Microflex Advance MXA310 Table Array Microphone to the

room video conference system, or to a soft codec video conferencing app on a participant's own device. Audio from the far end is heard through the TV which is connected to the laptop or VC system through HDMI cable.

Audio Network Interfaces

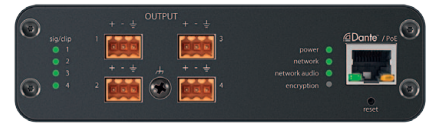
NEW



ANI22-BLOCK



ANI4IN-BLOCK



ANI4OUT-BLOCK



ANI22-XLR



ANI4IN-XLR



ANI4OUT-XLR

ANI22 | ANI4IN | ANI4OUT

Audio Network Interfaces

The ANI Audio Network Interfaces provide simple connection of Dante and analog microphones, for seamless integration into existing AV/IT infrastructures.

- **ANI22:** Connects up to 2 mic/line analog signals to a Dante Network + 2 Dante digital audio signals to mic/line analog signals
- **ANI4IN:** Connects up to 4 mic/line analog signals to a Dante Network
- **ANI4OUT:** Converts up to 4 Dante digital audio signals to mic/line analog signals
- Available with Block and XLR connectors
- Summing Modes mix multiple sources down to a single channel for easier installs
- Browser-based user interface allows remote control of hardware settings
- Third party control system compatible
- Power-over-Ethernet (PoE) eliminates need for outboard power supply
- Compact form factor is easy to mount under table or in credenza
- LEDs on the front panel indicate hardware status

MXWANI4 & MXWANI8

Audio Network Interfaces

Converts Dante Microphone systems to analog for connection to downstream devices.

- With 4 or 8 block connector channel outputs
- Versatile 4 port gigabit Ethernet switch
- Browser-based user interface
- Rack mountable, with front panel controls for easy adjustment of input and output levels
- Provides Power over Ethernet (PoE) to Microflex Advance
- MXWANI4 converts 1 analog signal to Dante / MXWANI8 converts 2 analog signals to Dante



IntelliMix Automatic Mixing

SCM820

Digital IntelliMix Automatic Mixer

Easiest way to operate many microphone channels simultaneously.

- Multiple I/O configurations and networking options provide analog and digital connectivity between devices
- Two independent mixers provide greater flexibility and allow for use in advanced and complex applications
- Smart, simple controls with intuitive hardware interface and informative LED metering
- Patented Shure Digital Feedback Reduction (two channels)
- Convenient browser-based, remote control



Technology Overview



Automixing Functionality

The proprietary Shure IntelliMix® automixing technology features a unique collection of algorithms that deliver clear, intelligible sound for productive conferences. Completely automatic, with no user interaction required for perfect operation.

Noise Adaptive Threshold (NAT)

Automatically makes adjustments to the activation threshold when the room becomes noisier or people become more active.

Number of Open Microphones Attenuation (NOMA)

Attenuates system gain as additional channels are opened, providing consistent output levels and better gain before feedback.

Last Mic Lock-On (LMLO)

Keeps the most recently activated microphone open until another microphone is activated.

MaxBus

Ensures that only one channel is open per sound source, while picking up multiple talkers simultaneously.

IntelliMix Modes offer Gating, Gain Sharing or Manual Mixing modes, along with modes specifically designed for Microflex Advance microphones with Steerable Coverage™.



DSP Functionality

The DSP algorithms used in the Shure Networked Audio Processors and Interfaces increase clarity and improve speech intelligibility by optimizing voice quality and reducing room noise.

Acoustic Echo Cancellation

Eliminates echo in conference rooms to make conversations more natural and interactive.

Noise Reduction

Removes unwanted background noises from interfering with your meeting.

Automatic Gain Control

Makes real-time adjustments to microphone levels to accommodate loud and soft talkers.

Matrix Mixing

Allows any input to be sent to any or all outputs for ultimate installation flexibility.

Parametric Equalization

Customize the sound signature by adjusting the frequency response, including attenuation or boost of signals within a customizable frequency range.

Networkable Shure Microphones

Microflex™ Advance™

Array Microphones

Microflex Advance Ceiling and Table Array Microphones offer a versatile and elegant A/V conferencing solution that discreetly and precisely capture the richness of the human voice, featuring proprietary Steerable Coverage™ technology to accurately capture sound sources from any location in a meeting room.



Networkable Microphones:

Ceiling Array Microphone | **MXA910**
Table Array Microphone | **MXA310**

Microflex™ Wireless

Microphone Systems

Microflex Wireless brings vivid, lifelike sound and wireless flexibility to managed AV environments. Easy to configure and expand, the system scales from custom boardrooms to networked enterprises, with comprehensive software tools for remote system management.

Networkable System Components:

Networked Charging Stations
MXWNCS2 | MXWNCS4 | MXWNCS8
2-, 4- and 8-Channel Access Point Transceivers
MXWAPT2 | MXWAPT4 | MXWAPT8

Microphone Form Factors
Hybrid Bodypack Transmitter | **MXW1**
Handheld Transmitter | **MXW2**
Boundary Transmitter | **MXW6**
Gooseneck Base Transmitter | **MXW8**



Dante Audio Networking enables delivery of low-latency, multi-channel, uncompressed digital audio over a standard Ethernet network.



Europe, Middle East, Africa:
Shure Europe GmbH
Jakob-Dieffenbacher-Str. 12,
75031 Eppingen, Germany

Phone: 49-7262-92490
Fax: 49-7262-9249114
Email: info@shure.de

**United States, Canada,
Latin America, Caribbean:**
Shure Incorporated
5800 West Touhy Avenue
Niles, IL 60714-4608 USA

Phone: 847-600-2000
Fax: 847-600-1212 (USA)
Fax: 847-600-6446
Email: info@shure.com

Asia, Pacific:
Shure Asia Limited
22/F, 625 King's Road
North Point, Island East
Hong Kong

Phone: 852-2893-4290
Fax: 852-2893-4055
Email: info@shure.com.hk