



DL-K 20-165/T

- UV-resistant
- easy power adjustment
- elegant design

The 20W powered speaker is equipped with a 165mm full-range loudspeaker chassis and a 100V transformer with 4 power adjustments. Power adjustments can easily be done by turning a knob at the top of speaker. The operation in low impedance mode is also possible. The sturdy, UV-resistant ABS-housing (UL 94 V0) in RAL 9016 guarantees long-term stability. The speaker is secured with protection class IP 35 against the security risks of environmental influences.

The connection will be done with a 5 m long, 5-pin cable, with up to 40 kg tensile strength. Quick and easy mounting with a mounting hook.

Technical Data

Description	DL-K 20-165/T
Power	20/15/10/5/2,5 (8) W
Frequency Range	128 - 17.900 Hz
Frequency Response	83 - 23.500 Hz
SPL 1W/1m, peak	100,8 dB
SPL Pmax/1m, peak	113,8 dB
Sensitivity 1W/1m	99,4 dB
Dispersion (-10dB)	250° (h) / 250° (v)
Temperature range	-20 / +80 °C
Dimensions	260 mm
Weight (net)	2,20 kg
Colour	RAL 9016
Connector	5-pin cable
Mounting	Mounting hook
Packing Unit	4
IP Rating	IP35

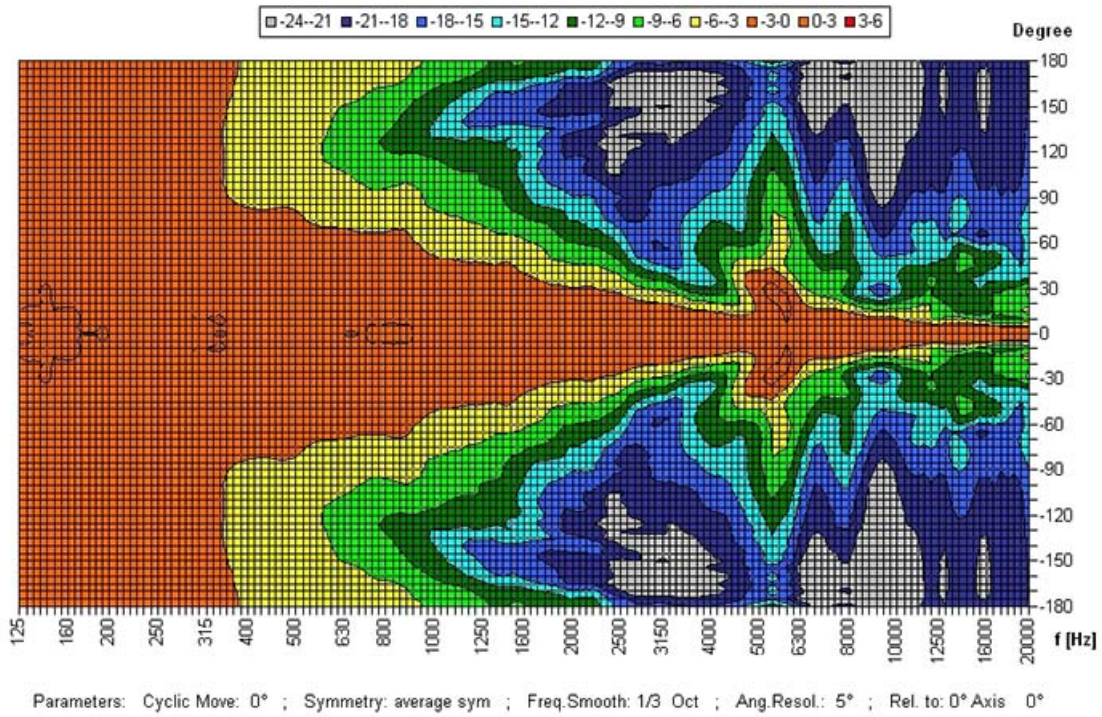
Please note: Because of many different types of ceiling materials and ceiling strengths we recommend to build in a sample of the speaker to match the requirements accurately.

Product Attributes

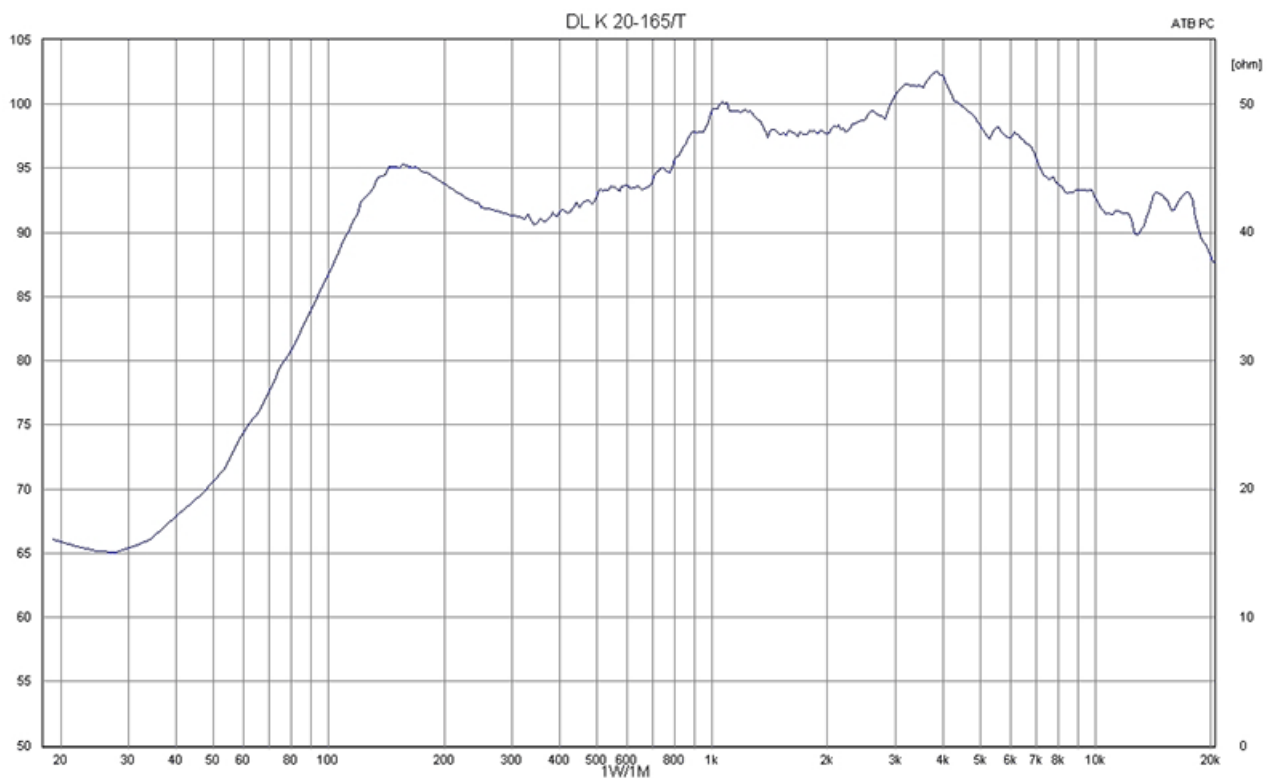


Polar Diagrams

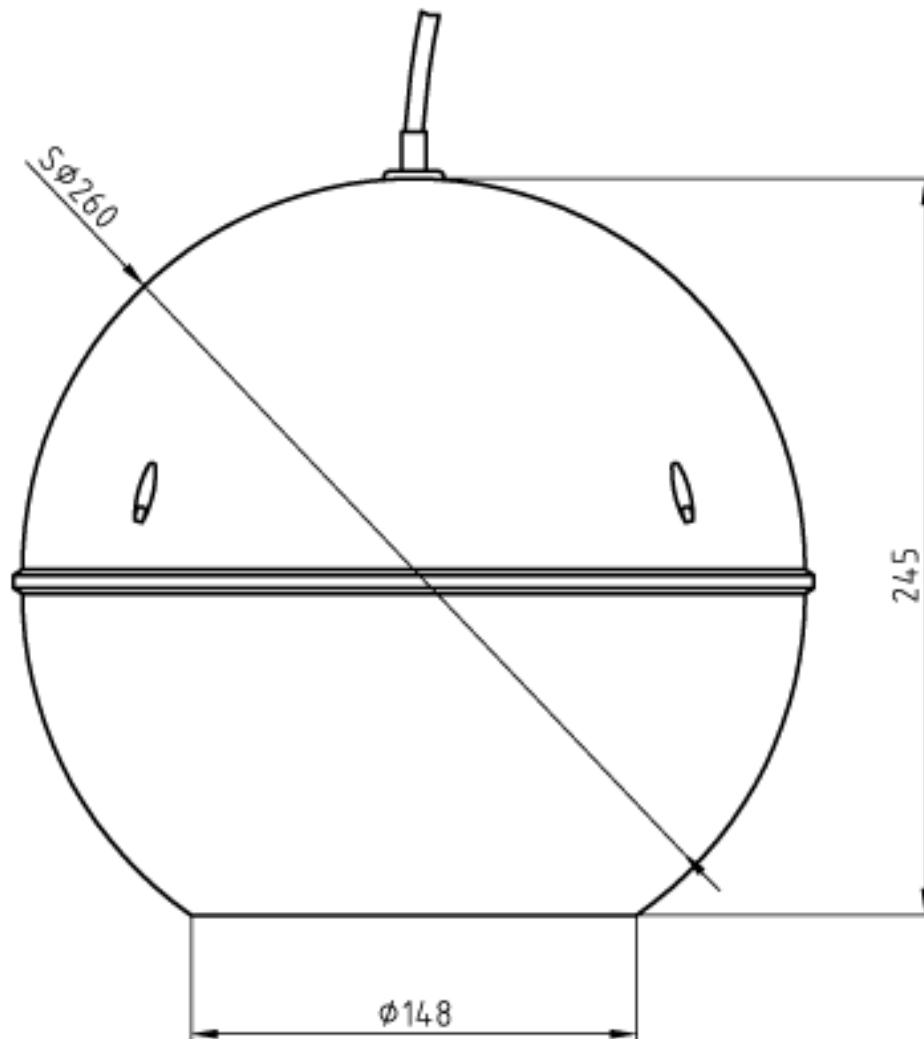
Copyright by Four-Audio GmbH & Co KG Licensed to AAC



Frequency Response Diagrams



Technical Diagrams



Measurements according to DIN IEC 268-5 | RoHS compliant (2011/65/EU)



Article Nr.:
20060842

Packing Unit:
4

