

# controlCUE-two

Ethernet IP Enabled Controller



## Main Features

- Modern ARM® processor platform
- Internal RAM 256 MB RAM
- Internal microSD Card min. 4 GB
- Wired 10/100 BaseT LAN
- Onboard real time clock
- Standard control ports - bi-directional serial, IR/serial, general I/O and relay ports
- Audio line input and output
- Web server and Admin Web pages for setup
- Unified aluminium enclosure design for desktop, 19" rack rack, DIN rail and wall installation - no special models required

## Description

Ethernet IP enabled high-end controller equipped with variety types of control ports. It is at least ten times more powerful compare to ipCUE controllers lineup. The controlCUE-two is recommended for medium to large scale applications.

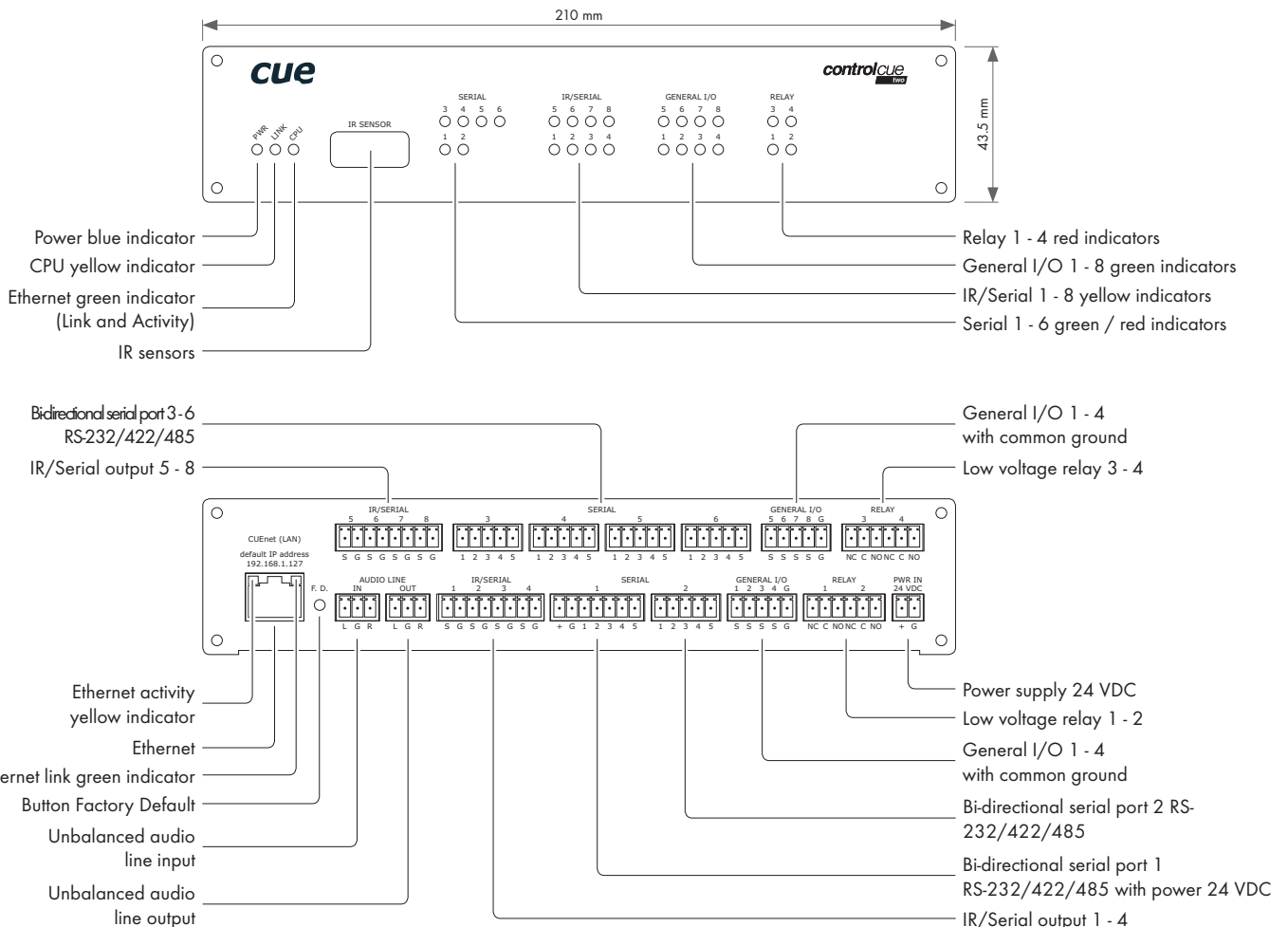
Control ports include bi-directional serial channels RS-232/422/485, serial outputs, infrared outputs up to 1.2 MHz, general I/O ports that can be configured as analog inputs or digital outputs and 24 volts relay outputs. The Ethernet port allows for bi-directional IP control of any manufacturer IP enabled products. The controlCUE-two is fully compatible with CUE's existing range of button panels and touch panels through and comes equipped with a CUEwire port.

Internal IR sensors allow capture IR codes and receive IR codes from hand-held transmitters. Convenient for testing and troubleshooting this model also comes with front panel indicator LEDs that indicate the status of all the control ports. The controller keeps date and time with its onboard real time clock (RTC) and thus allowing for a wide variety of distributed intelligence scheduling applications.

The controlCUE-two comes complete with a web server and allows setup through a standard web browser.

Enclosure allows installation to 19" rack using Rack Mounting kit.

## Mechanical Description



# controlCUE-two

Ethernet IP Enabled Controller

## Specifications

---

### Control ports

- 6x Bi-directional serial, 5-pin 3.5 mm connector
  - RS-232/422/485 modes
  - Serial data baud rate 75 Bd ÷ 115 200 Bd (bps)
- 8x IR /serial output, 2-pin connector
  - IR up to 1.2 MHz
  - Serial data baud rate 75 Bd ÷ 115 200 Bd (bps)
- 8x General I/O, 5-pin connector with common ground, each I/O can be configured as
  - Analog input 0 ÷ 5 V
  - Digital open collector output, max. 80 mA
- 4x Relay, 3-pin connector
  - Normal close (NC), common (C) and normal open (NO) contacts
  - Max. 24 V / 0.5 A

### Audio

- Line in, 3-pin connector
- Line out, 3-pin connector

### Internal IR sensor

- IR code capture, IR wireless control panel link

### LED indicators

- Power, Link, CPU, all control ports

### Button

- Reset / Set factory default

### Real time and date

- RTC with battery backup

### Memory

- Internal RAM 256 MB
- Internal microSD Card min. 4 GB

### Software technologies

- Admin Web, XPL<sup>2</sup> Inside

### System communication

- 10/100 BaseT Ethernet, RJ-45 connector

### Power supply

- 24 VDC (+/-20%), 12 W
- 2-pin connector

### Physical

- Aluminium enclosure

### Dimensions

210 x 43.5 x 92 mm / 8.3" x 1.7" x 3.6"

1/2 rack space, 1 U

Weight 0.5 kg / 1.1 lb

### Operating environment

Temperature 10° to 40° C

Humidity 10% to 90% non-condensing

## Box Contents

---

- Controller controlCUE-two
- Connector set
- Ethernet cable
- Power supply
- Quick Start
- Declaration of Conformity & Warranty Conditions

## Order Information

---

Product code CS0414