

Virtualign Laser Product Datasheet

Overview:

In high performance heavy equipment and machinery operate in close proximity to pedestrians, which has the potential for accidents. It is essential for pedestrian safety that a clearly visible pedestrian walkways, aisles, or lanes be defined to permit safe movement of pedestrians within the facility. Floor tape and paint lines serve an important role in the workplace, but in tough industrial environments, they often require a lot of maintenance.



VirtualLine Lasers create an indestructible floor line that eliminates the need for maintenance, changing the way you handle floor marking in your facility. VirtualLine is a plug and play industrial laser line striping system with broad application within an Industrial environment. VirtualLine replaces the need for traditional paint and tape for striping walkways, cordoning off dangerous or "off limits" areas as well as provide docking assistance for trucks and heavy machinery.

The VirtualLine creates bright floor lines in locations where high traffic or uneven floors make traditional floor marking methods difficult. This unique floor marking method uses a high-intensity laser to project a line onto any surface, indoors or outdoors. Using the VirtualLine, you can easily mark boundaries of workspaces or be paired with a second unit to create walkways, aisles or traffic lanes with two lines. This lightweight, flexible yet IP67 rated durable unit, is easy to set up and requires little maintenance, so you won't need to worry about replacing or repairing floor tape and floor paint anymore. Plus, the VirtualLine unit comes with a 2-year manufacturer warranty.

Key Features

- Projects a high-intensity laser line on any surface
- *Available Projection Colors:* Red, Green
- *Projection Type:* Line
- *IEC Safety Classification :* 3R (no additional safety eyewear required)
- *Package Includes:* Laser mounted in block, adjustable mounting bracket for easy positioning of projection onto a surface, and 110/240V AC power supply
- *Casing:* Machined Aluminum anodized Red
- *Water and Weather Resistance :* IP67
- *Operating Temperature Range:* 0° to 120°F (-20°C to 50°C)
- *Warranty :* 2-year manufacturer warranty

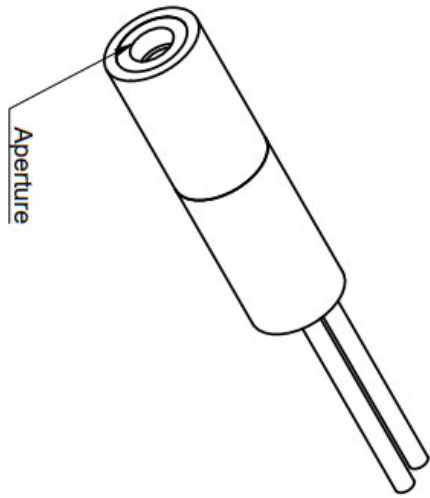
Specifications:**Red Line: LG-HSL0809RX****Green Line: LG-HSL0809GX**

Total Power Consumption (W)	0.08
Projection Type (See below for detail)	Line
Projection Fan Angle (°, full angle)*	90
Brightness at 5m / 15"	3188 Lux / 296 Footcandles
IP rating	67
Standard Warranty (months)	24
MTTF (operational hours)	10,000
Weight (kg) / (lbs)	0.26 kg / 0.57 lbs
Input Power	3-6 VDC input

All specifications are based on performance at full power. Output characteristics may change if the product is run at reduced power.

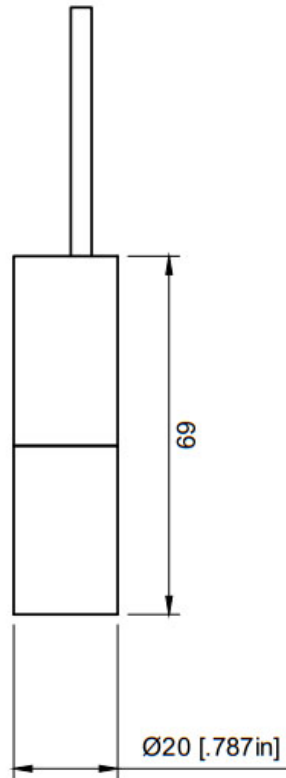
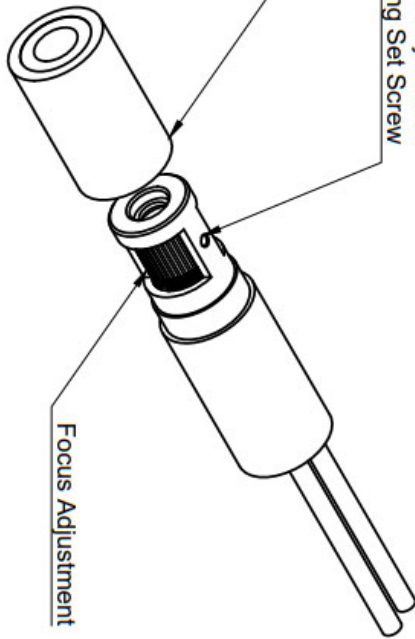
* Other projection angles are available upon request. Contact our sales team if your application requires different projection angles.

Dimensional Drawing - Laser Form Factor: B9:



Remove front cap to
access focus adjustment




Focus Adjustment
Locking Set Screw



Title	
Brightline Premium	
Laserglow Technologies	
Dimensions are in mm [inch]	
<small>The information contained in this drawing is the sole property of Laserglow Technologies. Any reproduction in part or as a whole without the written permission of Laserglow Technologies is Prohibited.</small>	
Rev.	

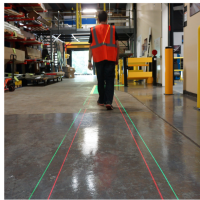
Accessories:

The most popular accessories are shown below. For additional details regarding these or other accessories please see our website or contact us directly.

Part Number	Description
 ABB000XXX	ABB-standard Brightline Standard Mounting Bracket
 ABC2SWXXX	Premium Y-Splitter Cable with Waterproof connectors
 HSTCRMIXX	Smart Trigger kit with Indoor Motion Detection Sensor



Virtualign Laser Product Datasheet



Part numbers:
Red Line: LG-HSL0809GX
Green Line: LG-HSL0809GX

Overview:

In heavy work environments, heavy equipment and machinery operate in close proximity to pedestrians, which has the potential for accidents. It is essential for pedestrian safety that a clearly visible pedestrian walkway, aisle, or lane be defined to permit safe movement of pedestrians within the facility. Floor tape and paint lines serve an important role in the workplace, but in tough industrial environments, they often require a lot of maintenance.

Virtualign Lasers create an indestructible floor line that addresses the need for maintenance, changing the way you handle floor marking in your facility. Virtualign is a plug and play industrial laser line striping system with broad application within an industrial environment. Virtualign replaces the need for traditional paint and tape for striping walkways, combining of dangerous or "off limits" areas as well as provide docking assistance for trucks and heavy machinery. The Virtualign creates bright floor lines in locations where high traffic or uneven floors make traditional floor marking methods difficult. This unique floor marking method uses a high intensity laser to project a line onto any surface, indoors or outdoors. A Using the Virtualign, you can easily mark boundaries of workspaces or be alerted with a second unit to create walkways, aisles or traffic lanes with the line. This lightweight, flexible yet IP67 rated durable unit, is easy to set up and requires little maintenance, so you won't need to worry about repairing or repainting floor tape and floor paint anymore. Plus, the Virtualign unit comes with a 2-year manufacturer warranty.

Key Features

- Projects a high-intensity laser line on any surface
- Available Project Colors: Red/Green
- Adjustable Beam
- IEC Safety Classification: II (no additional safety features required)
- Premium Brightline Laser mounted in shock resistant mounting bracket for easy positioning of projection onto a surface.
- 100/200V AC power inputs
- Compact, Rugged Aluminum Enclosed Red
- Rapid and Simple Repositioning
- Operating Temperature Range: 0° to 120°F (32°F to 50°C)
- Warranty: 2-year manufacturer warranty

Specifications:

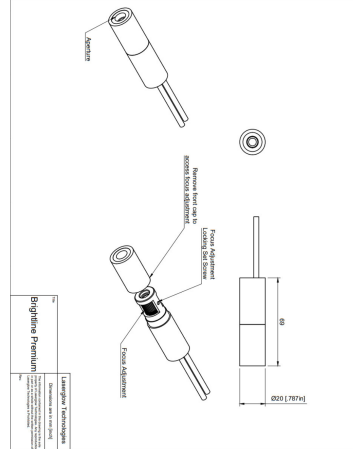
Red Line: LG-HSL0809GX
Green Line: LG-HSL0809GX

Total Power Consumption (W)	6.00
Projection Type (See below for detail) Line	
Projection Fan Angle ("H angle")	90°
Brightness at 5m / 15'	3300 Lux / 290 Footcandles
IP Rating	IP67
Standard Warranty (months)	24
MTBF (operational hours)	10,000
Weight Pkg. (lbs)	6.20 kg (13.67 lbs)
Lead time	2-4 week order

All specifications are based on performance at full power. Output characteristics may change if the product is not at ambient power.



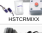


* Other projection angles are available upon request. Contact our sales team if your application requires different projection angles.

Dimensional Drawing - Laser Form Factor B9:



Accessories:

The most popular accessories are shown below. For additional details regarding these or other accessories please see our website or contact us directly.

Part Number	Description
 ABB000XXX	ABB-standard Brightline Standard Mounting Bracket
 ABC2SWXXX	Premium Y-Splitter Cable with Waterproof connectors
 HSTCRMIXX	Smart Trigger kit with Indoor Motion Detection Sensor
 HSTCRMIXX	ABB-to-American Brightline Premium I/O Power Supply (90-260 VAC, 1A American plug) with NEMA connector For Brightline Premium Only
 ABB000000	ABB-4000C Brightline Cable Mounting Bracket (included with B9)

FOR MORE INFORMATION PLEASE CONTACT:

800-555-5555
444 South Main St, Ste 5
St. Louis, MO 63101
info@virtualign.com, sales@virtualign.com

EXCISE: Data included in this sheet may be subject to change without notice.
Please confirm critical specifications with our staff prior to ordering.

E&OE: Data included in this sheet may be subject to change without notice.

Please confirm critical specifications with our staff prior to ordering.